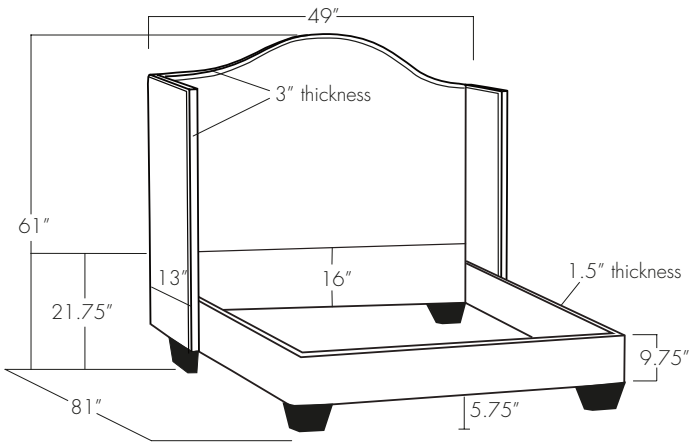
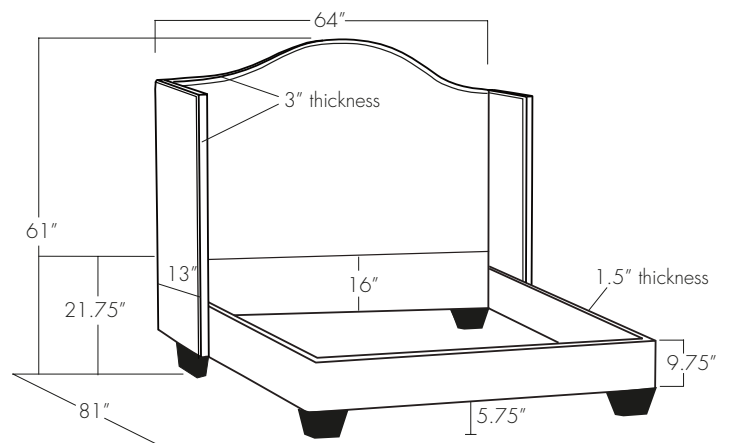


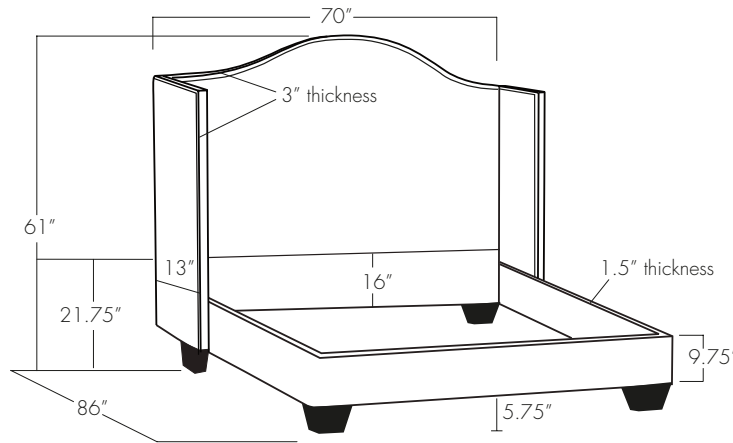
# EDEN WITH STRAIGHT WINGS



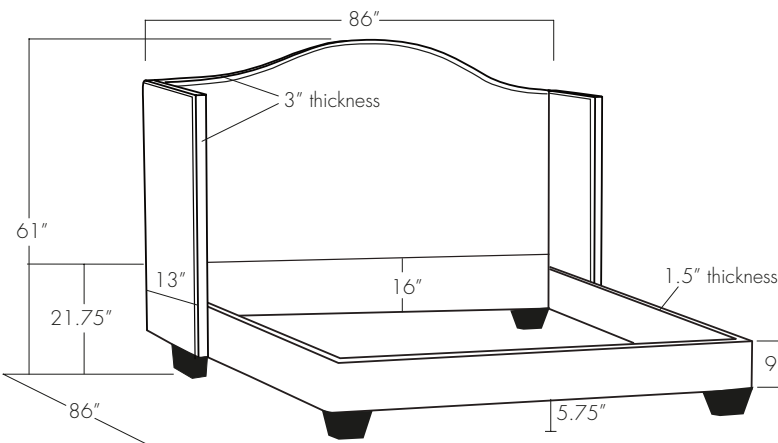
Twin



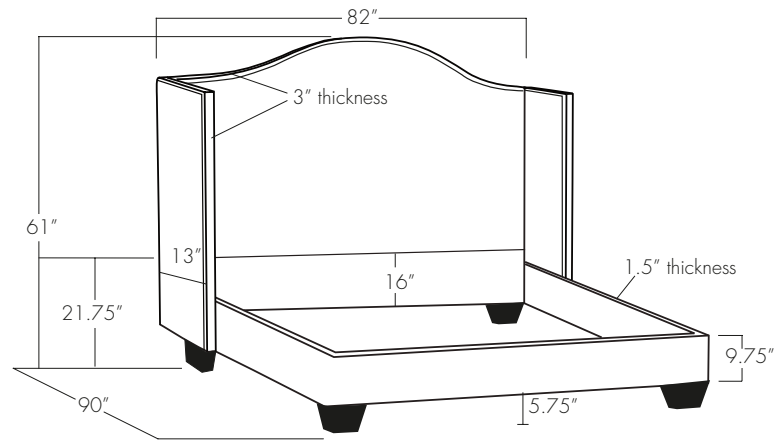
Full



Queen



King



California King

**EASTERN ♦ ACCENTS®**  
UPHOLSTERY WORKSHOP