

# Upholstered Furniture

Eastern Accents Custom Workroom

Get an Instant Custom Quote at  
EasternAccents.com/Workroom

Phone: 800.397.4556  
Fax: 800.998.3278  
Email: Custom@EasternAccents.com

## Upholstered Beds & Headboards (Milan, Paris, & Vienna)

Office Use Only Code: \_\_\_\_\_ Price: \_\_\_\_\_

Headboards and beds include:

- A fully upholstered back
- Beautifully mitered corners
- A hand-crafted wood frame, individually and precisely fitted with fabric
- An adaptor kit for attaching headboards to most bed frames

### 1 Choose Product

- Upholstered Bed       Upholstered Headboard Only

### 2 Choose Qty & Size

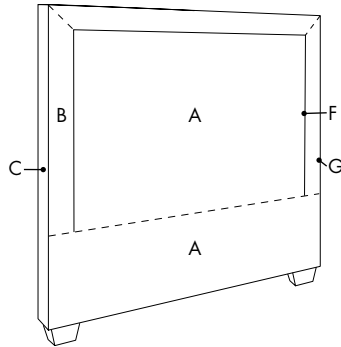
Quantity: \_\_\_\_\_

- Twin (43"W x 83"L x 60"H)     Full (58"W x 87"L x 60"H)     Queen (64"W x 88"L x 60"H)     King (82"W x 88"L x 60"H)     Cal King (76"W x 92"L x 60"H)

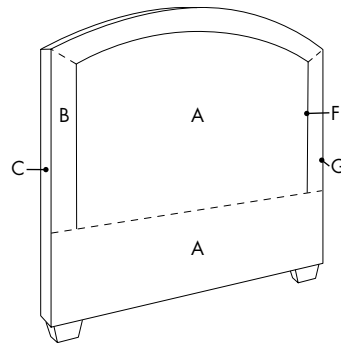
Regular headboards are 4" deep and tufted headboards are 6" deep. Length applies to upholstered beds only. Sizes cannot be customized.

### 3 Choose Style

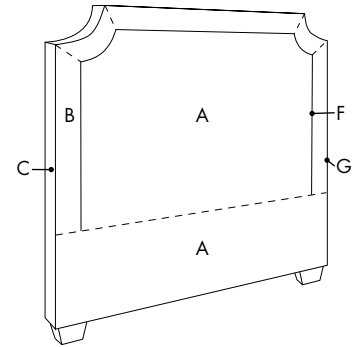
Milan



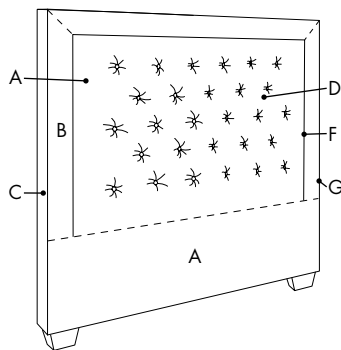
Paris



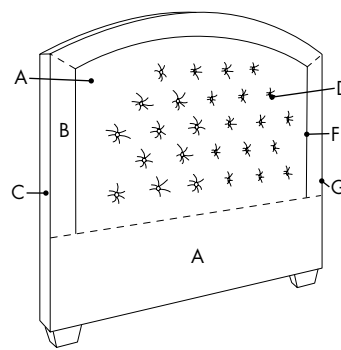
Vienna



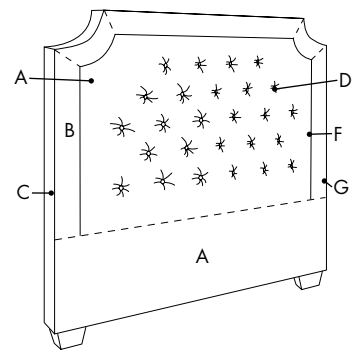
Milan Tufted



Paris Tufted



Vienna Tufted



### 4 Choose Fabrics

A: \_\_\_\_\_  
Main Fabric

B: \_\_\_\_\_  
Front Border Fabric

C: \_\_\_\_\_  
Side Fabric

D: \_\_\_\_\_  
Button Fabric (tufted headboards only)

E: \_\_\_\_\_  
Reverse Fabric (not shown)

F: \_\_\_\_\_  
Side Rail and Footboard Fabric (for upholstered bed only)

### 5 Choose Finishes

F: Face

Cord Code, or As in: \_\_\_\_\_

Small Welt Welt Fabric: \_\_\_\_\_

Medium Welt Welt Fabric: \_\_\_\_\_

G: Edge

Cord Code, or As in: \_\_\_\_\_

Small Welt Welt Fabric: \_\_\_\_\_

Medium Welt Welt Fabric: \_\_\_\_\_

For headboard installation instructions, visit [EasternAccents.com/HeadboardInstructions](http://EasternAccents.com/HeadboardInstructions).

# Upholstered Furniture

Eastern Accents Custom Workroom

Get an Instant Custom Quote at  
EasternAccents.com/Workroom

Phone: 800.397.4556  
Fax: 800.998.3278  
Email: Custom@EasternAccents.com

## Upholstered Beds & Headboards (Arles & Rockwell)

Office Use Only Code: \_\_\_\_\_ Price: \_\_\_\_\_

Headboard and Beds include:

- A fully upholstered back
- Beautifully mitered corners
- A hand-crafted wood frame, individually and precisely fitted with fabric
- An adaptor kit for attaching headboards to most bed frames

### 1 Choose Qty & Size

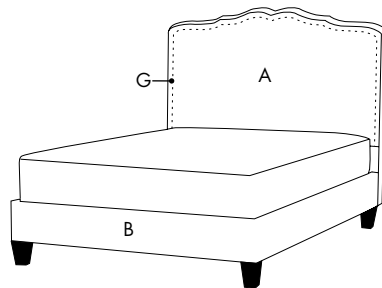
Quantity: \_\_\_\_\_

Arles  Twin (43"W x 80"L x 58"H)  Full (58"W x 84"L x 58"H)  Queen (64"W x 85"L x 58"H)  King (82"W x 85"L x 58"H)  Cal King (76"W x 89"L x 58"H)  
Rockwell  Twin (43"W x 83"L x 60"H)  Full (58"W x 87"L x 60"H)  Queen (64"W x 88"L x 60"H)  King (82"W x 88"L x 60"H)  Cal King (76"W x 92"L x 60"H)

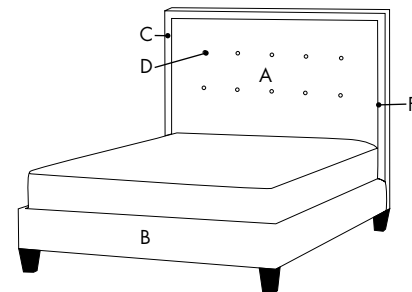
Rockwell headboards have a depth of 4". Sizes cannot be customized.

### 2 Choose Style

Arles (Bed only)



Rockwell  Bed  Headboard Only



### 3 Choose Fabric

A: \_\_\_\_\_  
Main Fabric

B: \_\_\_\_\_  
Side Rail and Footboard Fabric

C: \_\_\_\_\_  
Border Fabric

D: \_\_\_\_\_  
Button Fabric (Rockwell only)

E: \_\_\_\_\_  
Reverse Fabric (not shown)

### 4 Choose Finishes

F: Face

- Cord Code, or As in: \_\_\_\_\_  
 Small Welt Welt Fabric: \_\_\_\_\_  
 Medium Welt Welt Fabric: \_\_\_\_\_

G: Nailheads (Choose one - for Arles only)

- Antique Brass  Brushed Nickel  
 Matte Black  Old World

## Upholstered Bed Benches

Office Use Only Code: \_\_\_\_\_ Price: \_\_\_\_\_

### 1 Choose Qty

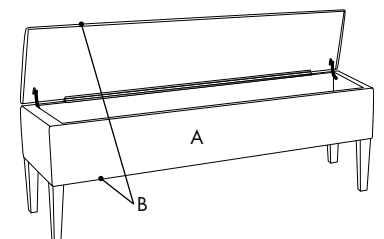
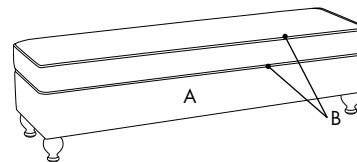
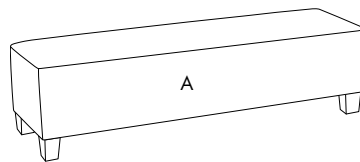
Quantity: \_\_\_\_\_

### 2 Choose Style

Barnard (60"W x 16"D x 16"H)

Creswell (60"W x 16"D x 16"H)

Frankfort (60"W x 16"D x 20"H)



### 3 Choose Fabric

A: \_\_\_\_\_  
Face Fabric

### 4 Choose Finishes

B: Edge (optional)

- Cord Code, or As in: \_\_\_\_\_  
 Small Welt Welt Fabric: \_\_\_\_\_  
 Medium Welt Welt Fabric: \_\_\_\_\_